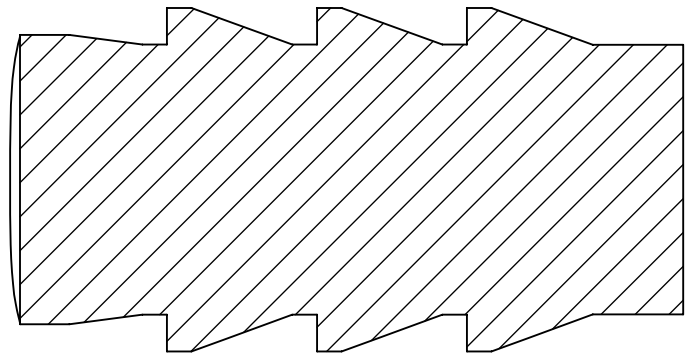
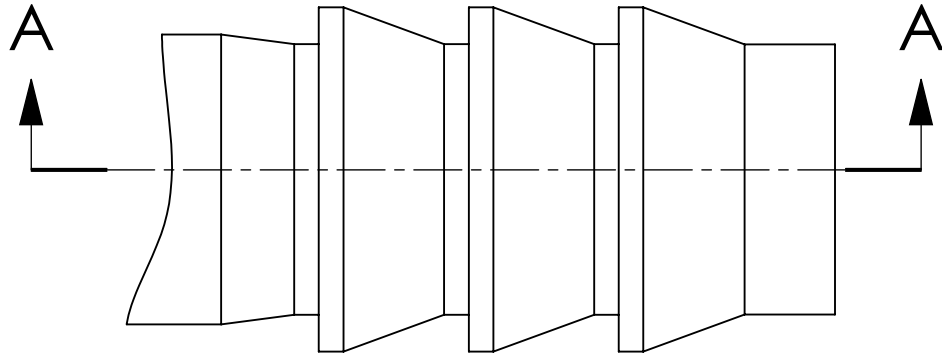
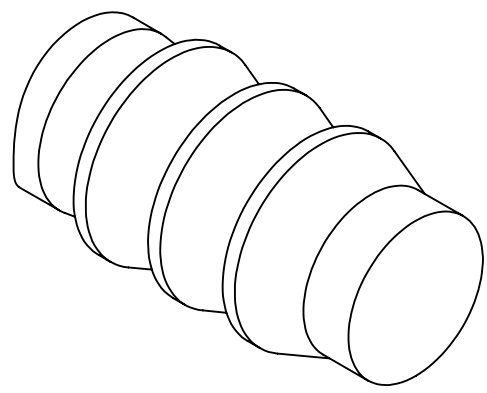


THE INFORMATION CONTAINED IN THIS DRAWING IS THE SOLE PROPERTY OF AUTOSWAGE ANY REPRODUCTION IN PART OR WHOLE WITHOUT THE WRITTEN PERMISSION OF AUTOSWAGE IS PROHIBITED.



SECTION A-A



Std. Tol. $\pm .005$	Std. Bow Wire Pins .004/in.	Area	sq.ft.
Diameters measured by gaging and plug gage		Autoswage	
For:		Part No.	Rev.
Matl.:		Customer	Rev.
Finish:		Part No.	
Drawn: D.B.	Date	AUTOSWAGE INC Shelton, CT	